



# Sewage Pumps - EBIS7040V

EBIS7040V 4/10 HP 4440 GPH @ 10'



## Features:

- Cast Iron/ stainless steel construction
- Built-in reliable vertical switch
- Energy efficient PSC motors
- Continuous duty rated



Industrial Grade for the Residential Market

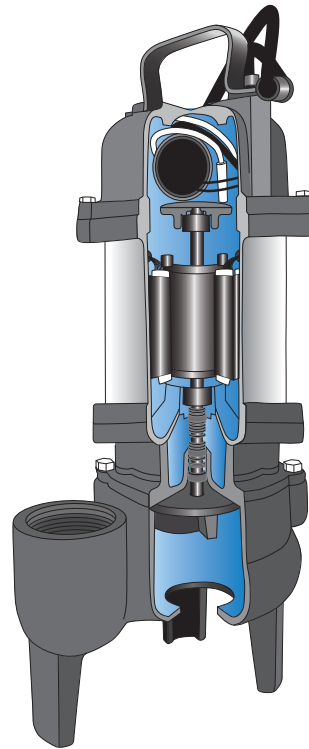
[www.StopFlooding.com](http://www.StopFlooding.com)

800-991-0466

# Sewage Pump - EBS7040V

## Pump Features and Construction

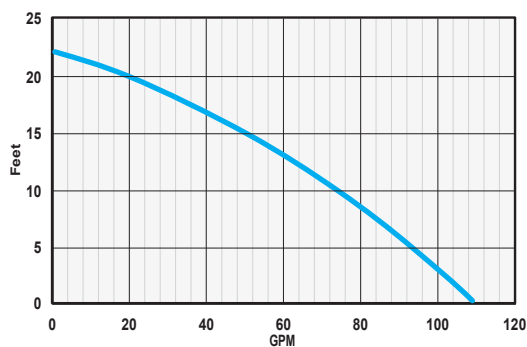
- Cast iron / stainless steel construction
- Built-in vertical float switch
- Continuous duty rated
- Energy efficient permanent split capacitor (PSC) motor
- Handles 2" solids with 2" discharge
- Thermally protected
- Water cooled motor (no cooling oil)
- Electroplated steel shaft
- Upper and lower sealed ball bearings
- Cast iron vortex impeller
- Dual carbon/ ceramic seals plus (1) Buna-N-Seal
- 10' Power cord



## Specifications and Dimensions

Flow @ 5 ft. Head	5640 GPH/ 94 GPM
Flow @ 10 ft. Head	4440 GPH/ 74 GPM
Max Head	22 ft. (6.7 m)
Discharge	2" (5.1 cm.)
Motor HP/Type	4/10 HP - PSC Motor
Voltage	115 VAC, 60 Hz
Amp. Draw @ 10 ft. Head	6.3 Amps
Width	9.0" (22.9 cm)
Depth	5.875" (15.0 cm)
Height	19.0" (48.3cm)
Weight	36 lbs. (16.3 kg)

## Flow Chart



## Why Pro Series Pumps?

### Premium Components

- Designed for higher pumping capacities, increased energy efficiencies, resulting in proven reliability
- Industrial grade, built for the residential market
- PSC motors
- Upper and lower ball bearings

### Exceeding Expectations

- Patented switches and controllers with state-of-the-art monitoring systems
- "Good, Better, Best" offering allows for a wide range of products to best fit your needs

### On the Forefront of Technology

- Many of the models within the Pro Series line have a USB Data Port and Remote Terminal which allows for connection to an external device that can notify a home owner of a problem or needed maintenance while away from home
- Receive text, email, or in-app notifications while away from home

Available from: